

FEATURES

- Back seating to prevent stem blow-out

APPLICATION

- Isolation & Venting of gauges, switches & other instruments
- Liquid & gas services

Multi-port

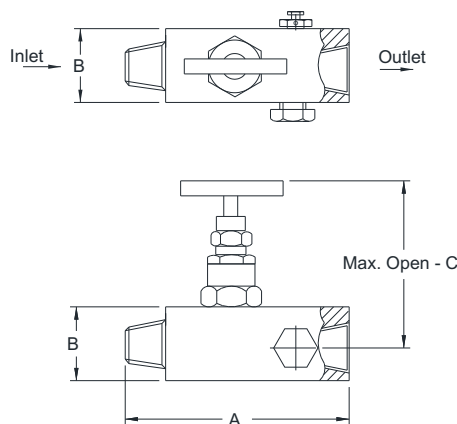


STANDARD SPECIFICATIONS

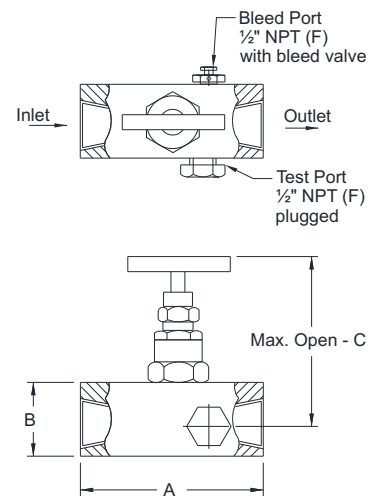
Stem type	: Hard seated stem
Wetted parts	: AISI 316 SS
Instrument connection	: 1/2" NPT (F) / 1/2" BSP (F)
Stem packing	: PTFE
Process connection	: 1/2" NPT (M) / 1/2" BSP (M)
Stem	: Conical metal tip
Max. working pressure	: 413.7 bar (6000 psi)
Max. working temperature	: 240°C
"T" bar handle	: AISI 304 SS
Test connection	: 1/2" NPT (F) / 1/2" BSP (F)
Bleed connection	: 1/2" NPT (F), plugged

DIMENSIONAL DRAWING

MALE X FEMALE



FEMALE X FEMALE



Connections		A	B	Max. open - C Stem Type	
Size	Type			HS	SS
NPT 1/4"	F x F	74	25	65	64.5
	M x F	84	25	65	64.5
NPT 3/8"	F x F	74	25	65	64.5
	M x F	84	25	65	64.5
NPT 1/2"	F x F	102	32	86.6	94
	M x F	115	32	86.6	94
NPT 3/4"	F x F	102	38	86.6	97
	M x F	115	38	86.6	97

All dimensions are in mm

ORDERING CODES

1. STEM TYPE

HS	Hard seated stem (Metal)
SS	Soft seated stem (Derlin)

HS

2. WETTED PARTS

MB	Carbon Steel / ASTM A105
MC	AISI 304 SS
MF	AISI 316 SS
MG	AISI 316L SS
MM	Monel 400
MN	Monel K-500
MO	Hastelloy C-276

MF

4. INSTRUMENT / TEST CONNECTION

11N	1/8" NPT (M)	12N	1/4" NPT (M)
13N	3/8" NPT (M)	14N	1/2" NPT (M)
11B	1/8" BSP (M)	12B	1/4" BSP (M)
13B	3/8" BSP (M)	14B	1/2" BSP (M)
01N	1/8" NPT (F)	02N	1/4" NPT (F)
03N	3/8" NPT (F)	04N	1/2" NPT (F)
01B	1/8" BSP (F)	02B	1/4" BSP (F)
03B	3/8" BSP (F)	04B	1/2" BSP (F)
1SW	1/8" Socket-Weld		
2SW	1/4" Socket-Weld		
4SW	1/2" Socket-Weld		
5SW	3/4" Socket-Weld		

04N

5. STEM PACKING

P	PTFE
G	Grafoil

P

6. PROCESS CONNECTION

11N	1/8" NPT (M)	12N	1/4" NPT (M)
13N	3/8" NPT (M)	14N	1/2" NPT (M)
11B	1/8" BSP (M)	12B	1/4" BSP (M)
13B	3/8" BSP (M)	14B	1/2" BSP (M)
01N	1/8" NPT (F)	02N	1/4" NPT (F)
03N	3/8" NPT (F)	04N	1/2" NPT (F)
01B	1/8" BSP (F)	02B	1/4" BSP (F)
03B	3/8" BSP (F)	04B	1/2" BSP (F)
1SW	1/8" Socket-Weld		
2SW	1/4" Socket-Weld		
4SW	1/2" Socket-Weld		
5SW	3/4" Socket-Weld		

14N

7. OTHER OPTIONS

XY	Circular Handle
TN	Tested to NACE standards
TO	Certification for Oxygen service
TM	Material test certificate 2.2
TH	Hydro test certificate
TC	Material test certificate 3.1
XL	Marking by laser

XL

Ordering Example : V103-HS-MF-04N-P-14N-XL

APPLICABLE ACCESSORIES

A503	Drain plug
A505	Bleeder
A507	Ring for flanged seal
A508	Sealing gasket

NOTES:

- Other connections are available, please contact factory for details.
- Valve stem dust covers shall be identified with color codes according to their function as ; Blue = ISOLATE