

FEATURES

- Quick connect/disconnect
- Laser welded flush diaphragm
- DIN, SMS, RJT & IDF / ISS connections

APPLICATION

- Food & beverages industries
- Dairy & Ice cream industries
- Pharmaceuticals & cosmetics

Flush, Union-nut

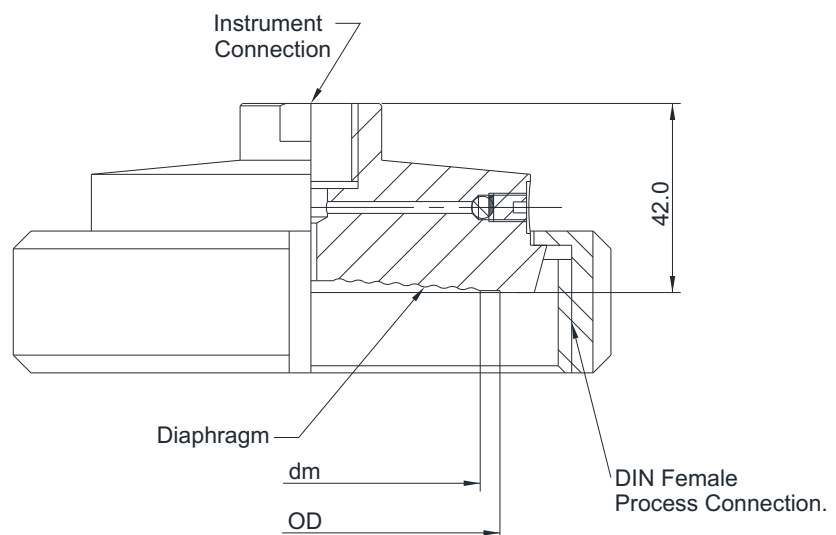


STANDARD SPECIFICATIONS

Range type	: 1...40 bar
Chamber material	: AISI 316 SS
Diaphragm	: AISI 316L SS
Instrument connection	: 1/2" NPT (F) / 1/2" BSP (F)
Sealing fluid	: Food Grade oil [-20°C to 140°C]
Process connection	: Union-nut (DIN 11851 / SMS / RJT/APV / IDF/ISS)
Assembly	: Direct

DIMENSIONAL DRAWING

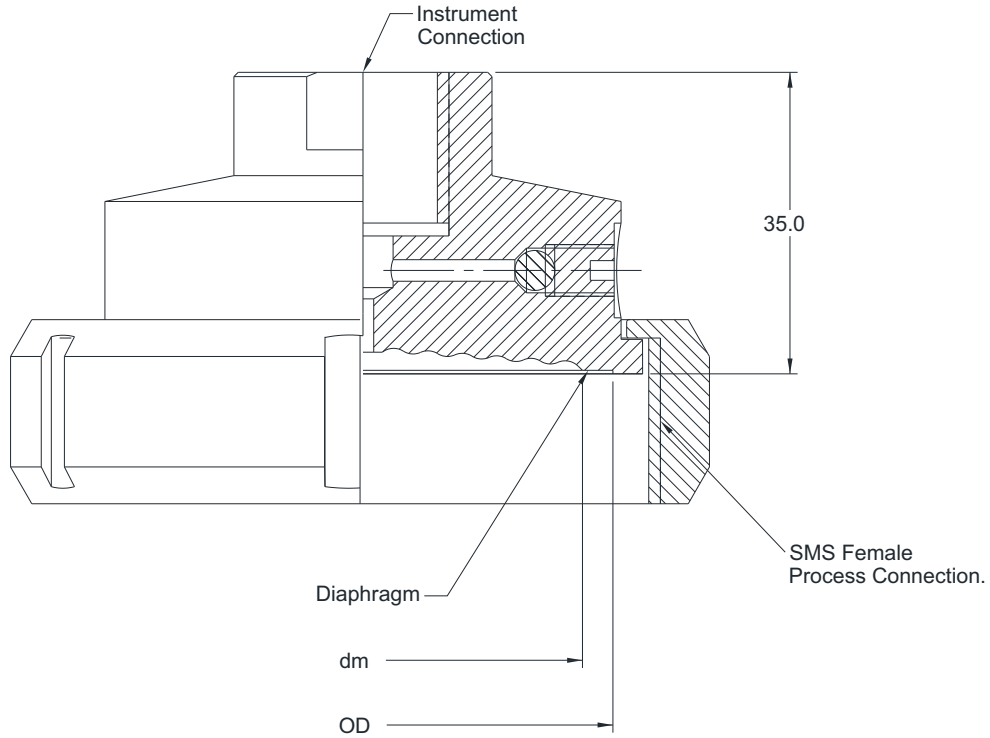
STANDARD : DIN 11851



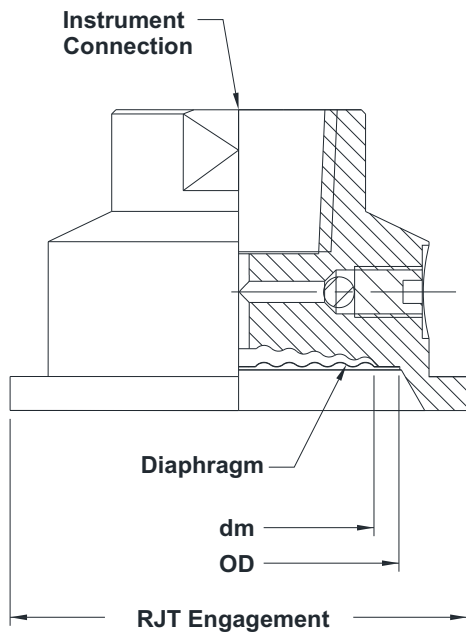
All dimensions are in mm.

DIMENSIONAL DRAWING

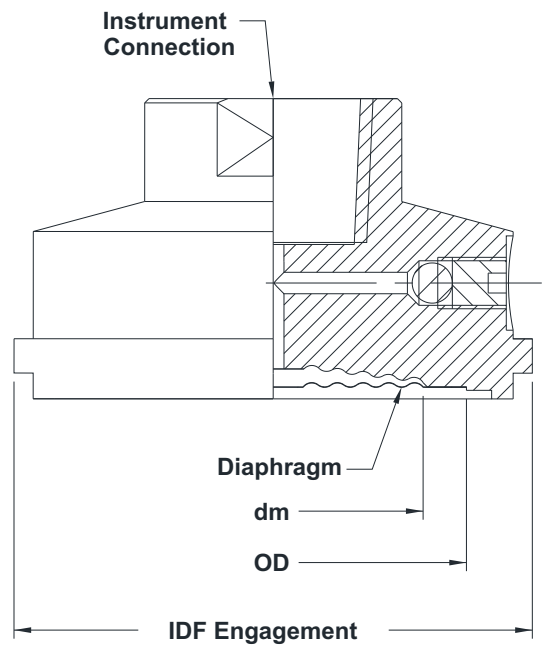
STANDARD : SMS



STANDARD : RJT / APV



STANDARD : IDF / ISS



ORDERING CODES

1. RANGE TYPE

S37 1...40 bar
Refer range vs connection size table

S36

2. STANDARD TYPE

T40 DIN 11851
T41 SMS
T42 RTJ / APV
T43 IDF / ISS

T40

3. CHAMBER MATERIAL

LF AISI 316 SS
LG AISI 316L SS

LF

4. DIAPHRAGM MATERIAL

DG AISI 316L SS

DG

5. INSTRUMENT CONNECTION

03B 3/8" BSP (F)
04N 1/2" NPT (F)
02B 1/4" BSP (F)
04B 1/2" BSP (F)
02N 1/4" NPT (F)

04N

6. SEALING FLUID

OF Food grade oil [-20°C to 140°C]

OG

7. PROCESS CONNECTION (UNION NUT)

T01 1" Connection (DN25)
T14 1 1/4" Connection (DN32)
T15 1 1/2" Connection (DN40)
T02 2" Connection (Dn50)
T25 2 1/2" Connection (DN63)
T03 3" Connection (DN80)

T15

8. ASSEMBLY

B8 Direct
B9 Remote (capillary)

B8

9. CAPILLARY

OU AISI 304 SS
OV AISI 316 SS

XX

10. ARMOUR

OX AISI 304 SS
OY AISI 316 SS
OZ PVC (Ambient max. 60°C)

XX

11. REMOTE MOUNTING LENGTH

XXXX 1000 mm up to 4000 mm

XXXX

12. OTHER OPTIONS

XZ Dry seal
HL Helium leak test
TM Material test certificate 2.2
TC Material test certificate 3.1

XX

Rev 01

Ordering Example : D302-S36-T40-LF-DG-04N-OG-T15-B8

CONNECTION SIZE Vs RANGE CHART

DIN	Size	25	32	40	50	80
	"Diaphragm Size (OD/ED) in "mm"	35/25	38/32	48/40	59/52	80/72
	Range (bar)	0...4 to 0...40	0...2 to 0...40	0...1 to 0...40	0...1 to 0...40	-1...0 to 0...40
SMS	Size	1"	1 1/2"	2"		
	"Diaphragm Size (OD/ED) in "mm"	30/23	45/36	58/51		
	Range (bar)	0...4 to 0...40	0...2 to 0...40	0...1 to 0...40		

APPLICABLE ACCESSORIES

A303 Sanitary connection ring/nut

NOTES:

1. All metal diaphragms are laser welded to the Top Chamber.