

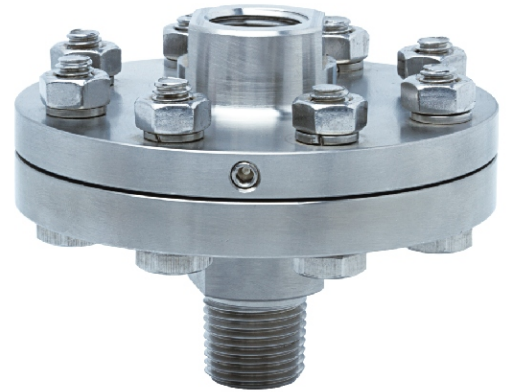
FEATURES

- Forged chambers
- Rigid construction
- Laser welded diaphragm
- Optional exotic materials

APPLICATION

- Separation systems
- Isolation applications
- Viscous & corrosive media
- High-pressure applications
- High vibration application

Direct Coupled

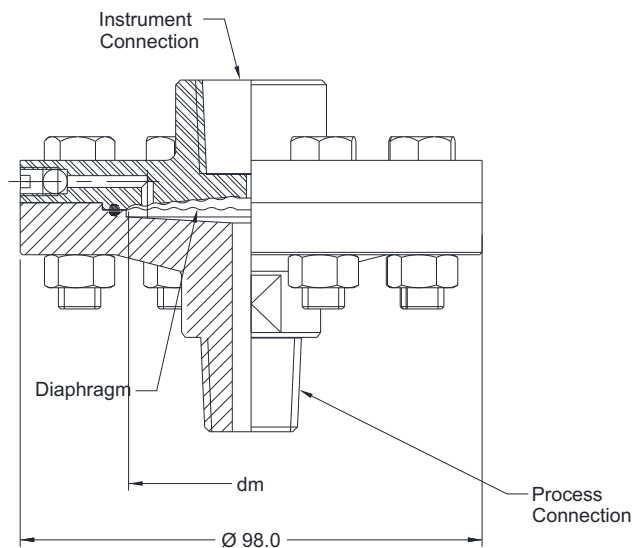


STANDARD SPECIFICATIONS

Range type	: -1...0 bar & 0...70 bar / 100...160 bar / 210...400 bar
Top chamber material	: AISI 304 SS
Diaphragm	: AISI 316 SS, laser welded on upper part
Gaskets	: PTFE
Bottom chamber material	: AISI 316L SS
Instrument connection	: 1/2" NPT (F) / 1/2" BSP (F)
Sealing fluid	: Silicon DC 200 (-40...205°C)
Process connection	: 1/2"NPT (M) / 1/2" BSP (M)
Assembly	: Direct

DIMENSIONAL DRAWING

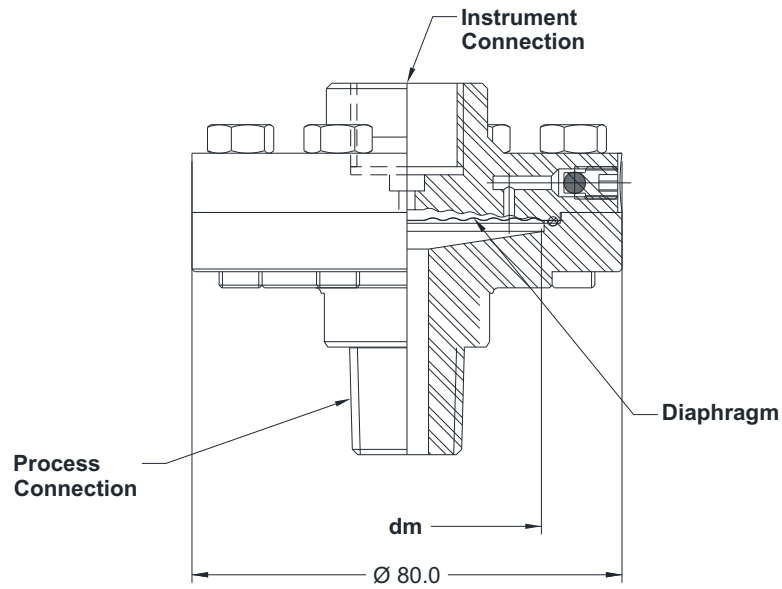
Type S01



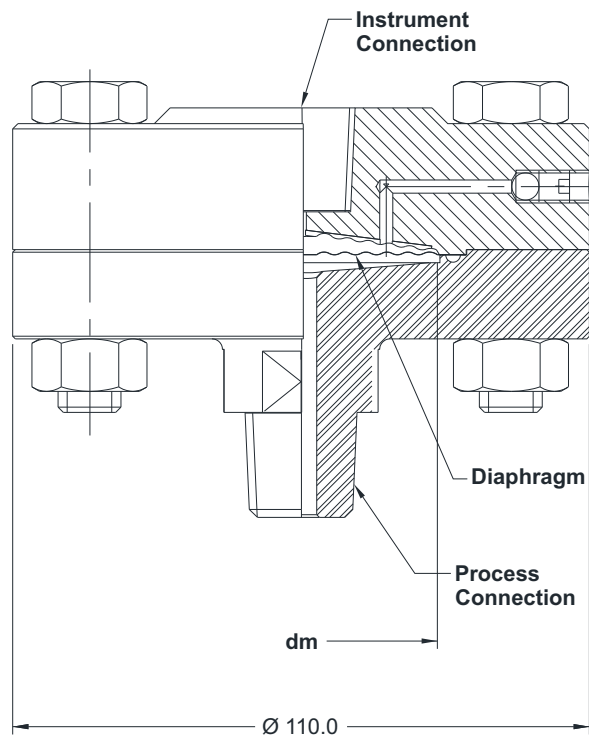
All dimensions are in mm.

DIMENSIONAL DRAWING

Type S02



Type S03



ORDERING CODES

1. RANGE TYPE		S01		8. PROCESS CONNECTION		14N	
S01	-1...0 bar & 0...70 bar			12B	1/4" BSP (M)	13B	3/8" BSP (M)
S02	100...160 bar			14B	1/2" BSP (M)	15B	3/4" BSP (M)
S03	210...400 bar			12N	1/4" NPT (M)	14N	1/2" NPT (M)
				15N	3/4" NPT (M)	14M	M20 x 1.5 (M)
				17M	M33 x 2.0 (M)	02N	1/4" NPT (F)
				04N	1/2" NPT (F)	05N	3/4" NPT (F)
				02B	1/4" BSP (F)	04B	1/2" BSP (F)
				05B	3/4" BSP (F)		
2. TOP CHAMBER MATERIAL		LC		9. PROTECTION ON WETTED PARTS		XX	
LC	AISI 304 SS	LF	AISI 316 SS	PA	PTFE lining on bottom chamber ^{4,5}		
LG	AISI 316L SS			PB	PTFE protection for diaphragm		
				PC	PTFE coating on diaphragm or wetted parts		
3. DIAPHRAGM MATERIAL		DG		10. ASSEMBLY		B8	
DG	AISI 316L SS	DM	Monel 400	B8	Direct		
DO	Hastelloy C-276	DQ	Inconel 600	B9	Remote(capillary)		
DV	Titanium	DW	Tantalum				
D8	Silver coated						
4. GASKETS		RP		11. CAPILLARY		XX	
RP	PTFE	RM	Metal	OU	AISI 304 SS	OV	AISI 316 SS
5. BOTTOM CHAMBER MATERIAL		NF		12. ARMOUR		XX	
NC	AISI 304 SS	NF	AISI 316 SS	OX	AISI 304 SS	OY	AISI 316 SS
NG	AISI 316L SS	NM	Monel 400	OZ	PVC (Ambient max. 60°C)		
NO	Hastelloy C-276	NV	Titanium				
NW	Tantalum	N1	PVC ¹				
N2	PTFE ¹	N3	PVDF ¹				
N4	Polypropylene ¹						
6. INSTRUMENT CONNECTION		04N		13. REMOTE MOUNTING LENGTH		XXXX	
03B	3/8" BSP (F)	04N	1/2" NPT (F)	XXXX	1000 mm up to 6000 mm		
02B	1/4" BSP (F)	04B	1/2" BSP (F)				
02N	1/4" NPT (F)						
7. SEALING FLUID		0A		14. OTHER OPTIONS		XX	
OA	Silicon DC 200 [-40°C to 205°C]			XZ	Dry seal		
OF	Food grade oil [-20°C to 140°C]			HL	Helium leak test		
OG	Glycerine [10°C to 150°C]			TM	Material test certificate 2.2		
OI	Syltherm 800 [-40°C to 315°C]			TC	Material test certificate 3.1		
OL	Silicon DC 710 [7°C to 371°C]			E8	Weld constructed bottom chamber (Eco version)		

Ordering Example : D101-S01-LC-DG-RP-NF-04N-OA-14N-XX-B8

NOTES:

1. Pressure rating up to 10 bar. Consult factory for details.
2. Other sealing liquids are available, contact factory for further details.
3. All metal diaphragms are laser welded to the top chamber.
4. While choosing option PA for diaphragm DG, option PB has to be selected mandatory.
5. PTFE lining to be chosen on parallel threads.