

PFMN

Fully welded pressure transmitter with flush membrane and touch screen

PFMN-##.####.#####.#####.####

Overview

- Programmable by touch screen
- Cavity-free process connection
- Resistant to all conventional CIP cleaning media
- Compact installation from G 1/2 A
- Optionally available with relay outputs
- Absolute pressure, relative pressure and vacuum measurement
- Easy and full programmable with FlexProgrammer 9701



Technical data

Performance characteristics

Pressure type	Absolute Relative (gauged)
Compensated temperature range	-40 ... 85 °C
Long term stability	≤ 0.1 % FSR/a , IEC 770 6.3.2
Max. measuring error	± 0.1 % FSR , up to 2:1 turndown ratio ± 0.25 % FSR , up to 4:1 turndown ratio Including zero-point and span error, non-linearity (by terminal base line), hysteresis and non-repeatability (EN 61298-2) For turndown, multiply this value by the applied turndown ratio
Max. measuring span	401 bar
Max. turndown ratio	10 : 1
Measuring range	-1 ... 400 bar
Standard error of measurement (BFSL)	0.04 % FSR , up to 2:1 turndown ratio 0.1 % FSR , up to 4:1 turndown ratio Including non-linearity, hysteresis and non-repeatability according BFSL For turndown, multiply this value by the applied turndown ratio
Min. measuring span	0.05 bar
Power-up time	< 10 s
Rise time (10 ... 90 %)	≤ 0.3 s
Sample time	≤ 0.3 s
Temperature coefficient	≤ 0.05 % FSR/10 K , measuring span ≤ 0.05 % FSR/10 K , zero point

Process conditions

Process temperature	-40 ... 125 °C , without cooling neck -40 ... 200 °C , with cooling neck
Process pressure	Refer to section "Operating conditions"

Process conditions

SIP/CIP compatibility	< 60 min, without cooling neck @ medium temperature up to 150 °C Permanent, with cooling neck @ medium temperature up to 200 °C
-----------------------	--

Process connection

Connection variants	Refer to section "Dimensional drawings"
Wetted parts material, process connection	AISI 316L (1.4404)
Wetted parts material, membrane	AISI 316L (1.4435)
Wetted parts material, gasket	NBR, optional FKM, optional, gaskets require a minimum ambient temperature of -20 °C and a minimum medium temperature of -25 °C

Ambient conditions

Operating temperature range	-30 ... 80 °C , with DFON touch screen -40 ... 85 °C , without DFON touch screen
Storage temperature range	-30 ... 80 °C , with DFON touch screen -40 ... 85 °C , without DFON touch screen
Degree of protection (EN 60529)	IP67 , with cable gland IP69K , with connector M12
Humidity	< 98 % RH , condensing
Vibration	DNV high vibration strain, class B
Vibration (sinusoidal) (EN 60068-2-6)	1.6 mm p-p (2 ... 25 Hz), 4 g (25 ... 100 Hz), 1 octave / min.

Output signal

Current output	4 ... 20 mA 4 ... 20 mA , + HART® 20 ... 4 mA , programmable
Load resistance	R _Q = (U _{supply} - 10 V)/20 mA
Insulation resistance	> 100 MΩ , 500 V DC

PFMN

Fully welded pressure transmitter with flush membrane and touch screen

PFMN-##.####.#####.#####.####

Technical data

Output signal

Sensor failure	20 ... 23 mA , programmable
	3.6 ... 4 mA , programmable

Housing

Style	Bottom process connection Rear process connection
Overall size	Refer to section "Dimensional drawings"
Material	AISI 304 (1.4301)

Electrical connection

Connector	M12-A, 5-pin, stainless steel M12-A, 8-pin, stainless steel
Cable gland	M16x1.5, plastic M16x1.5, stainless steel M20x1.5, plastic M20x1.5, stainless steel

Power supply

Voltage supply range	10 ... 35 V DC
----------------------	----------------

Factory settings

Output lower limit	3.7 mA
Output upper limit	23 mA
Damping	0 s
Output at sensor fault	3.5 mA

ATEX II 1G Ex ia IIC T5

Maximum values for barrier selection, Ui	30 V DC , max.
Maximum values for barrier selection, Ii	100 mA
Maximum values for barrier selection, Pi	750 mW

Display

General information

Panel type	FSTN Graphical LCD
Display range	-9999 ... 99999
Max. digit height	22 mm
Material	Polycarbonate

Ambient conditions

Optimal readability temperature range	-10 ... 70 °C
Operating temperature range	-30 ... 80 °C
Degree of protection (EN 60529)	IP67 IP69K

Input signal

Input signal from transmitter	Digital, 2-way for communication between transmitter and display
Update time	1 s , max. 0.3 s , typ.

ATEX II 1G Ex ia IIC T5

Internal capacitance, Ci	< 15 nF
Internal inductance, Li	< 10 µH
Temperature class, T1 ... T5	-20 < Tamb < 60 Zone 0 and 20 -40 < Tamb < 65 Zone 1/2 and 21/22

ATEX II 1D Ex ia IIIC T100 °C Da

Maximum values for barrier selection, Ui	30 V DC , max.
Maximum values for barrier selection, Ii	100 mA
Maximum values for barrier selection, Pi	750 mW
Internal capacitance, Ci	< 15 nF
Internal inductance, Li	< 10 µH
Temperature class T100 °C	-20 < Tamb < 60 °C Zone 0 and 20 -40 < Tamb < 65 °C Zone 1/2 and 21/22

ATEX II 3G Ex ec IIC T5

Voltage supply range	10 ... 35 V DC
Current rating, In	100 mA
Temperature class, T1 ... T5	-30 < Tamb < 65 °C

Compliance and approvals

EMC	EN 61000-6-2 EN 61000-6-3
Safety	cULus listed, E527512
Explosion protection	ATEX II 1G Ex ia IIC T5 ATEX II 3 G Ex ec IIC T5 ATEX II 1D Ex ia IIIC T100 °C Da

User configurable data

Error- / Warning-indication	Individually configurable display and backlight indication in white, green or red colour, steady or flashing light. Configurable limits over the range
Measuring unit	bar mbar Psi KPa MPa atm Kg/cm2 mH2O mmH2O "H2O "H2O mmHg "Hg
User defined measuring unit	8 × 20 pixel matrix

Relays

Contacts	2 x solid state relays
Max. load current	75 mA
Max. switching voltage	60 V

PFMN

Fully welded pressure transmitter with flush membrane and touch screen

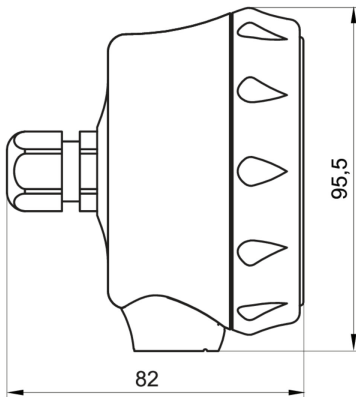
PFMN-##.####.#####.#####.####

Operating conditions

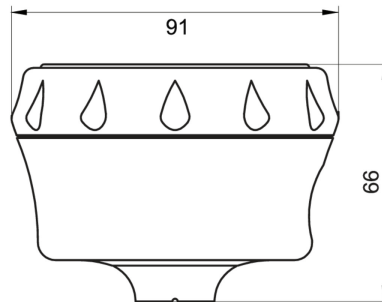
Measuring range (bar)	Proof pressure (bar)	Burst Pressure (bar)
0 ... 0.345	1	2
-1 ... 1	3	6
-1 ... 5	15	30
-1 ... 20	60	120
-1 ... 34	70	140
-1 ... 68	135	270
-1 ... 400	690	1350

Dimensional drawings (mm)

Housing



FlexHousing with bottom process connection

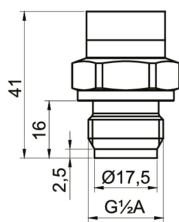


FlexHousing with rear process connection

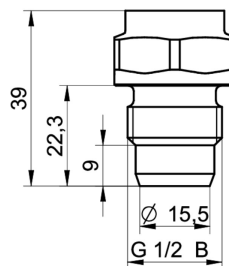


FlexHousing front view

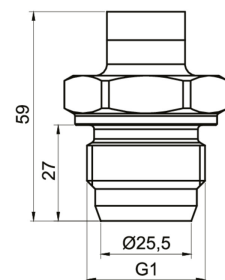
Process connection



G 1/2 A DIN 3852-E (BCID: G51)



G 1/2 A ISO 228-1 with cone (BCID: G08)



G 1 A hygienic (BCID: A04)

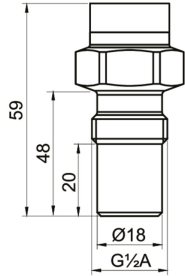
PFMN

Fully welded pressure transmitter with flush membrane and touch screen

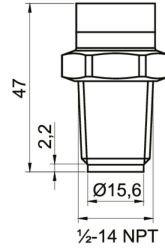
PFMN-##.####.#####.#####.####

Dimensional drawings (mm)

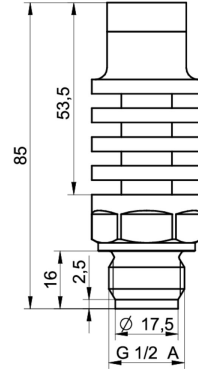
Process connection



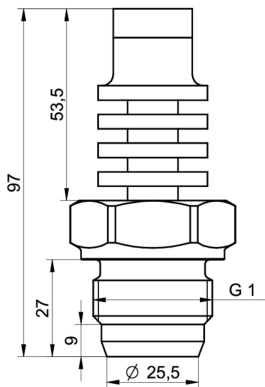
G 1/2 A hygienic (BCID: A03)



1/2-14 NPT (BCID: N02)



G 1/2 A DIN 3852-E with cooling neck (BCID: G51)



G 1 A hygienic with cooling neck (BCID: A04)

PFMN

Fully welded pressure transmitter with flush membrane and touch screen

PFMN-##.####.#####.#####.####

Electrical connection

Equivalent circuit	Electrical connection	Function	Pin assignment
		+Vs lout	+ -
		+Vs lout R1 R2 R1 + R2	1 3 5 4 2
		+Vs lout R1 R2 n.c.	2 7 5, 6 3, 4 1, 8
		+Vs lout R1 R2 n.c.	+ - 5, 6 3, 4 1, 2

Ordering information

Ordering key - Configuration possibilities see website

	PFMN	-	#	#	.	###	#	.	##	##	#	.	##	2	#	#	.	#	#	0	#	####
Product	PFMN																					
Housing																						
Stainless steel 1.4301 / AISI304 Bottom connection				5																		
Stainless steel 1.4301 / AISI304 Rear connection				6																		
Accuracy																						
±0.25 % FS																						
±0.10 % FS																						
Pressure range and unit																						
Min. 0.0 / Max 0.345 Bar (not vacuum or absolute)																						BC1
Min. -1.0 / Max 1.0 Bar(0...1 bar abs)																						BC2
Min. -1.0 / Max 5.0 Bar (0...5 bar abs)																						BC3
Min. -1.0 / Max 20.0 Bar (0...20 bar abs)																						BC4
Min. -1.0 / Max 34.0 Bar (0...34 bar abs)																						BC5
Min. -1.0 / Max 68.0 Bar (0...68 bar abs)																						BC6
Min. -1.0 / Max 400.0 Bar (0...400 bar abs)																						BC7
Kind of pressure																						
Relative (gauged)																						R
Absolute																						A
Output signal																						
4...20 mA																						A1
4...20 mA + HART®																						C1

2023-03-06 The product features and technical data specified do not express or imply any warranty. Technical modifications subject to change.

PFMN

Fully welded pressure transmitter with flush membrane and touch screen

PFMN-##.####.#####.#####.####

Ordering information

Ordering key - Configuration possibilities see website

	PFMN	-	#	#	.	###	#	.	##	##	#	.	##	2	#	#	.	#	#	0	#	####
Output Connection																						
M12-A, 5-pin																						15
M12-A, 8-pin																						18
Cable gland, M16x1.5																						55
Cable gland, M20x1.5																						57
Material of el. connection																						
Plastic																						1
Stainless steel, AISI 304 (1.4301)																						3
Process connection																						
G 1/2 A DIN 3852-E (G51)																						41
G 1/2 A ISO 228-1 with cone (G08)																						42
G 1 A hygienic (A04)																						44
G1/2A hygienic (A03)																						48
½-14 NPT (N02)																						49
G 1/2 A DIN 3852-E with cooling neck (G51)																						71
G 1 A hygienic with cooling neck (A04)																						74
Wetted parts material																						
Stainless steel 1.4404 / AISI 316L																						2
Seal																						
None																						0
NBR standard																						1
EPDM																						2
FKM																						3
Oil filling																						
Standard oil																						1
NSF H1 listed (FDA approved)																						2
Display																						
Without display																						1
With display, no relays activ.																						2
With display, with activated relays																						4
ATEX																						
Standard safety																						0
Ex ec IIC T5 (Gas)																						3
Ex ia IIC T5 Ga or Ex ia IIIC T100°C Da (Gas or Dust)																						5
Approvals																						
Standard approvals																						0
Configuration																						
No configuration																						0
Configuration of range																						1
Configuration of range + display																						2
Configuration of range + display incl. 2 relays																						3
Option Surface																						
Surface Ra ≤ 0,4 µm																						9059
Surface electropolished																						9060
not selected																						&