

## PBMH autoclavable

Fully autoclavable pressure transmitter for hygienic applications

PBMH-2#####200#

### Overview

- Fully autoclavable pressure sensor for common sterilization processes
- High temperature resistance for SIP and CIP processes
- Surface roughness of process connection  $R_a \leq 0.8$  for highest hygienic requirements
- Fully welded and compact design for washdowns without residuals
- Excellent active temperature compensation for increased process stability
- External programming of zero point and span with FlexProgrammer 9701



Picture similar



### Technical data

#### Performance characteristics

Pressure type	Absolute Relative (gauged)
Compensated temperature range	-10 ... 85 °C
Long term stability	$\leq 0.1$ % FSR/a , measuring range > 1 bar $\leq 1$ mbar , measuring range $\leq 1$ bar
Max. measuring error	$\pm 0.1$ % FSR $\pm 0.25$ % FSR Including zero-point and span error, non-linearity (by terminal base line), hysteresis and non-repeatability (EN 61298-2) For turndown, multiply this value by the applied turndown ratio
Max. measuring span	40 bar
Max. turndown ratio	5 : 1
Measuring range	-1 ... 40 bar
Standard error of measurement (BFSL)	$\pm 0.04$ % FSR $\pm 0.1$ % FSR Including non-linearity, hysteresis and non-repeatability according BFSL For turndown, multiply this value by the applied turndown ratio
Min. measuring span	0.4 bar
Rise time (10 ... 90 %)	$\leq 5$ ms
Temperature coefficient	$\leq 0.03$ % FSR/10 K , measuring span $\leq 0.03$ % FSR/10 K , zero point

#### Process conditions

Process temperature	-10 ... 125 °C , without cooling neck -40 ... 200 °C , with cooling neck
Process pressure	Refer to section "Operating conditions"

#### Process conditions

SIP/CIP compatibility	< 60 min, without cooling neck @ medium temperature up to 150 °C Permanent, with cooling neck @ medium temperature up to 200 °C
-----------------------	--

#### Autoclavability

Sterilisation conditions	Complete sensor with attached protective cover
Ambient pressure during sterilisation process	$\leq 3500$ mbar
Process duration	$\leq 30$ min
Sterilisation temperature	$\leq 140$ °C

#### Process connection

Connection variants	Refer to section "Dimensional drawings"
Wetted parts material, process connection	AISI 316L (1.4435)
Wetted parts material, membrane	AISI 316L (1.4435)
Wetted parts material, gasket	EPDM, optional EPDM O-rings are conform to 3-A Sanitary Standard 18-03 Class II, EPDM gaskets are conform to 3-A Sanitary Standard 18-03 Class I (8% milk fat max.)

#### Surface roughness (in contact with medium)

Membrane	$R_a \leq 0.4$ $\mu\text{m}$
Process connection	$R_a \leq 0.4$ $\mu\text{m}$
Weld joint	$R_a \leq 0.8$ $\mu\text{m}$

#### Ambient conditions

Operating temperature range	-10 ... 85 °C
Storage temperature range	-10 ... 85 °C
Degree of protection (EN 60529)	IP 67

## PBMH autoclavable

Fully autoclavable pressure transmitter for hygienic applications

PBMH-2#####200#

### Technical data

#### Ambient conditions

Bump (EN 60068-2-27)	100 g / 2 ms, 4000 impulses per axis and direction
Shock (EN 60068-2-27)	50 g / 11 ms, 100 g / 6 ms, 10 impulses per axis and direction
Vibration (sinusoidal) (EN 60068-2-6)	1.5 mm p-p (10 ... 58 Hz), 10 g (58 Hz ... 2 kHz), 10 cycles (2.5 h) per axis
Vibration, broad-band random (EN 60068-2-64)	0.1 g <sup>2</sup> / Hz, > 10 gRMS (20 Hz ... 1 kHz), 30 min. per axis

#### Output signal

Current output	4 ... 20 mA, 2-wire 20 ... 4 mA, 2-wire
Voltage output	0 ... 10 V, 3-wire 0 ... 5 V, 3-wire 0.5 ... 4.5 V, 3-wire 1 ... 5 V, 3-wire 10 ... 0 V, 3-wire
Load resistance	> 5 kΩ, with voltage output $R = (V_s - 8 V) / 20 \text{ mA}$ , with current output
Insulation resistance	> 100 MΩ, 500 V DC

#### Output signal

Short circuit protection	Yes
Shunt resistance	$R_s \leq (V_s - 8 V) / 0.0205 \text{ A}$ $R_s \leq 750 \Omega$ , $V_s = 24 \text{ V}$

#### Housing

Style	Compact transmitter
Overall size	Refer to section "Dimensional drawings"
Material	AISI 316L (1.4404)

#### Electrical connection

Connector	Fischer, 4-pin, stainless steel M12-A, 4-pin, stainless steel
-----------	--

#### Power supply

Voltage supply range	13 ... 30 V DC, with voltage output 8 ... 30 V DC, with current output
----------------------	---

#### Compliance and approvals

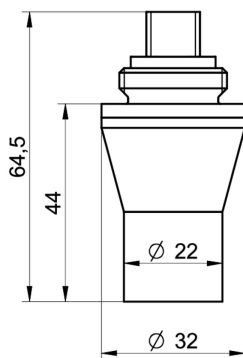
EMC	EN 61000-6-2 EN 61000-6-3
Hygiene	3-A (74-07) EHEDG EL Class I

### Operating conditions

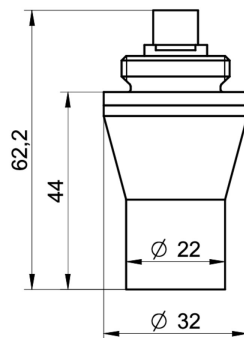
Measuring range (bar)						Proof pressure (bar)	Burst Pressure (bar)	
-1 ... 0	-1 ... 0,6	0 ... 0,4	0 ... 0,6	0 ... 1		3	6	
-1 ... 1,5	-1 ... 3	-1 ... 5	0 ... 1,6	0 ... 2	0 ... 2,5	0 ... 4	15	30
	-1 ... 9	-1 ... 15	0 ... 6	0 ... 10	0 ... 16	0 ... 20	60	120
		-1 ... 24	0 ... 25				70	140
		-1 ... 39	0 ... 40				135	270

### Dimensional drawings (mm)

#### Housing



Housing with connector M12-A, 4-pin, high temperature



Housing with connector Fischer, 4-pin, stainless steel

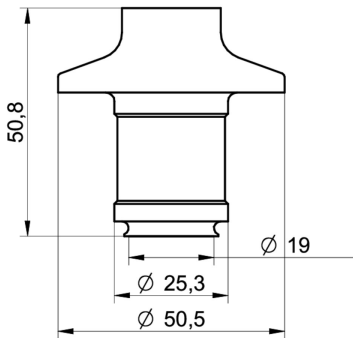
# PBMH autoclavable

Fully autoclavable pressure transmitter for hygienic applications

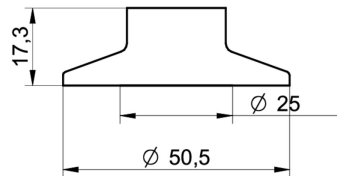
PBMH-2#####200#

## Dimensional drawings (mm)

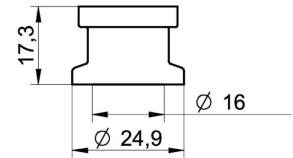
### Process connection



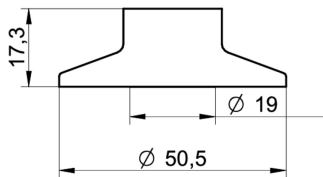
B01-50  
BHC 3A DN 38, membrane Ø 19 mm (BCID: B01)



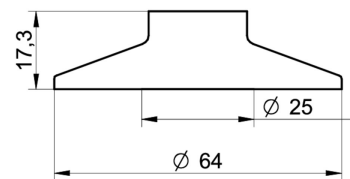
C04-51  
Tri-Clamp Ø 50.5, membrane Ø 25 mm (BCID: C04)



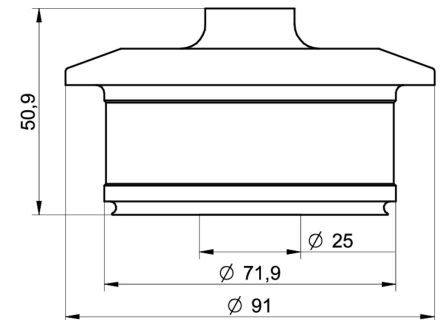
C01-52  
Tri-Clamp Ø 24.9, membrane Ø 16 mm (BCID: C01)



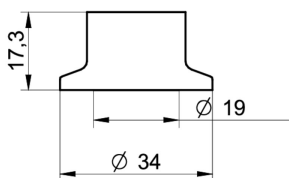
C03-53  
Tri-Clamp Ø 50.5, membrane Ø 19 mm (BCID: C03)



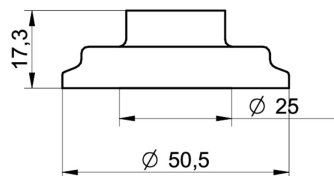
C05-54  
Tri-Clamp Ø 64.0, membrane Ø 25 mm (BCID: C05)



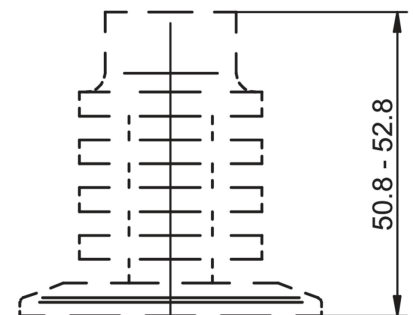
B02-56  
BHC 3A DN 76, membrane Ø 25 mm (BCID: B02)



C02-57  
Tri-Clamp Ø 34.0, membrane Ø 19 mm (BCID: C02)



H51-58  
DIN 11864-3-A BKS (Aseptic Clamp), DN25, Ø 50.5, membrane Ø 25 mm (BCID: H41)



Cooling neck

# PBMH autoclavable

Fully autoclavable pressure transmitter for hygienic applications

PBMH-2#####200#

## Electrical connection

Output signal	Equivalent circuit	Electrical connection	Function	Pin assignment
4 ... 20 mA (2-wire)			+Vs	1
			Iout	3
			Frame Ground	Plug thread
			n.c.	2, 4
0 ... 10 V (3-wire)			+Vs	1
			Uout	2, 4
			GND (0 V)	3
			Frame Ground	Plug thread
			+Vs	1
			Uout	2
			GND (0 V)	3
			Frame Ground	Plug thread
			n.c.	4

## Ordering information

Ordering key - Configuration possibilities see website

	PBMH	-	2	#	###	#	##	##	##	#	#	2	0	0	#
<b>Product</b>	PBMH														
<b>Housing material</b>	Stainless steel 1.4404 AISI 316L			2											
<b>Accuracy</b>	±0.25 % FS				4										
	±0.10 % FS				5										
<b>Measuring range</b>	0 ... 0.4 bar (EN)					B11									
	0...0,6 bar (EN)					B12									
	0...1 bar (EN)					B15									
	0...1,6 bar (EN)					B16									
	0...2 bar (EN)					B17									
	0 ... 2.5 bar (EN)					B18									
	0 ... 4 bar (EN)					B19									
	0...12 bar (EN)					B1K									
	-1...39 bar (EN)					B1L									
	0 ... 6 bar (EN)					B20									
	0 ... 10 bar (EN)					B22									
	0 ... 16 bar (EN)					B24									
	0...20 bar (EN)					B25									
	0...25 bar (EN)					B26									
	0 ... 40 bar (EN)					B27									
	-0,1...0,1 bar (EN)					B2H									
	-0,2...0,2 bar (EN)					B4G									
	-0,6...0 bar (EN)					B58									
	-1...0 bar (EN)					B59									
	-1...0,6 bar (EN)					B72									

## PBMH autoclavable

Fully autoclavable pressure transmitter for hygienic applications

PBMH-2#####200#

### Ordering information

Ordering key - Configuration possibilities see website

	PBMH	-	2	#	###	#	##	##	##	#	#	2	0	0	#	
-1...1 bar (EN)																B73
-1 ... 1,5 bar (EN)																B74
-1...2 bar (EN)																B75
-1...3 bar (EN)																B76
-1...5 bar (EN)																B77
-1...9 bar (EN)																B79
-1...15 bar (EN)																B81
-1...24 bar (EN)																B82
0...5 bar (EN)																B98
0...6 psi (ANSI)																H11
0...10 psi (ANSI)																H13
0...15 psi (ANSI)																H15
0...25 psi (ANSI)																H16
0...30 psi (ANSI)																H17
0...60 psi (ANSI)																H19
0...20 psi (ANSI)																H1C
0...500 psi (ANSI)																H1E
-30Hg...600 psi (ANSI)																H1L
0...100 psi (ANSI)																H21
0...160 psi (ANSI)																H22
0...200 psi (ANSI)																H23
0...250 psi (ANSI)																H24
0...300 psi (ANSI)																H25
0...400 psi (ANSI)																H26
0...600 psi (ANSI)																H27
-30HG...60 psi (ANSI)																H2C
-30HG...0 (ANSI)																H59
-30HG...15 psi (ANSI)																H73
-30HG...30 psi (ANSI)																H75
-30HG...100 psi (ANSI)																H78
-30HG...150 psi (ANSI)																H79
-30HG...220 psi (ANSI)																H81
-30HG...300 psi (ANSI)																H82
<b>Kind of pressure</b>																
Relative (gauged)																R
Absolute																A
<b>Output signal</b>																
20...4 mA																A0
4...20 mA																A1
0...10 V																A2
1...5 V																A3
0...5 V																A4
0.5...4.5 V																A5
10...0 V																A7
<b>Output Connection</b>																
M12-A, 4-pin high temperature																24
Fischer, 4-pin, stainl. steel																56

## PBMH autoclavable

Fully autoclavable pressure transmitter for hygienic applications

PBMH-2#####200#

### Ordering information

Ordering key - Configuration possibilities see website

	PBMH	-	2	#	###	#	##	##	##	#	#	2	0	0	#
<b>Process connection</b>															
BHC 3A DN 38 (B01) <sup>(3)</sup>															50
ISO 2852 (Tri-Clamp), DN 33.7; 38, Ø 50.5 (C04) <sup>(1)</sup>															51
Tri-Clamp, DN 3/4, Ø 24.9 (ohne 3-A) (C01) <sup>(2)</sup>															52
ISO 2852 (Tri-Clamp), DN 25, Ø 50.5 (C03) <sup>(1)</sup>															53
ISO 2852 (Tri-Clamp), DN 40; 51, Ø 64.0 (C05) <sup>(1)</sup>															54
BHC 3A DN 76 (B02) <sup>(3)</sup>															56
ISO 2852 (Tri-Clamp), DN 21.3, Ø 34.0 (C02) <sup>(2)</sup>															57
DIN 11864-3-A BKS (Aseptic Clamp), DN25, Ø 50.5 (H41) <sup>(3)</sup>															58
BHC 3A DN 38, with cooling neck (B01) <sup>(3)</sup>															80
ISO 2852 (Tri-Clamp), DN 33.7; 38, Ø 50.5 with cooling neck (C04) <sup>(1)</sup>															81
DIN 32676-C (Tri-Clamp), DN 3/4, Ø 24.9 (without 3-A) with cooling neck (C01) <sup>(2)</sup>															82
ISO 2852 (Tri-Clamp), DN 25, Ø 50.5 with cooling neck (C03) <sup>(1)</sup>															83
ISO 2852 (Tri-Clamp), DN 40; 51, Ø 64.0 with cooling neck (C05) <sup>(1)</sup>															84
BHC 3A DN 76, with cooling neck (B02) <sup>(3)</sup>															86
ISO 2852 (Tri-Clamp), DN 21.3, Ø 34.0 with cooling neck (C02) <sup>(2)</sup>															87
<b>Process connection material</b>															
Stainless steel 1.4435 AISI 316L															5
Stainless steel AISI 316L, 1.4435 electropolished Ra 0.4															F
<b>Seal</b>															
None															0
EPDM															2
EPDM EHEDG															7
<b>Oil filling</b>															
NSF H1 listed (FDA approved)															2
<b>Display</b>															
Without display															0
<b>ATEX</b>															
Standard safety															0
<b>Approvals</b>															
Standard approvals															0
EAC															7

(1) EHEDG only with special gasket

(2) EHEDG not included

(3) EHEDG included