

Etaline R – Vertical In-line Pump with Standardised Motor



Applications:

- Air-conditioning systems
- Cooling circuits
- Hot water heating systems
- District heating
- District cooling
- Water supply
- Industrial recirculation systems
- Heat recovery systems

More information:

www.ksb.com/products

Your contact:



Etaline R – Vertical In-line Pump with Standardised Motor

1 High operating reliability

Pressure boundary and mechanical seals designed for up to PN 16 / 25 bar and up to 140 °C max., depending on the material variant.

2 Hydraulic optimisation

- Customised solutions by trimming the impeller to match the specified operating point (as a standard)
- High hydraulic efficiency thanks to optimised impeller/volute casing geometry.

3 High-efficiency drive

IE3 standard motors with top efficiency. Easy to replace.

4 Ease of service

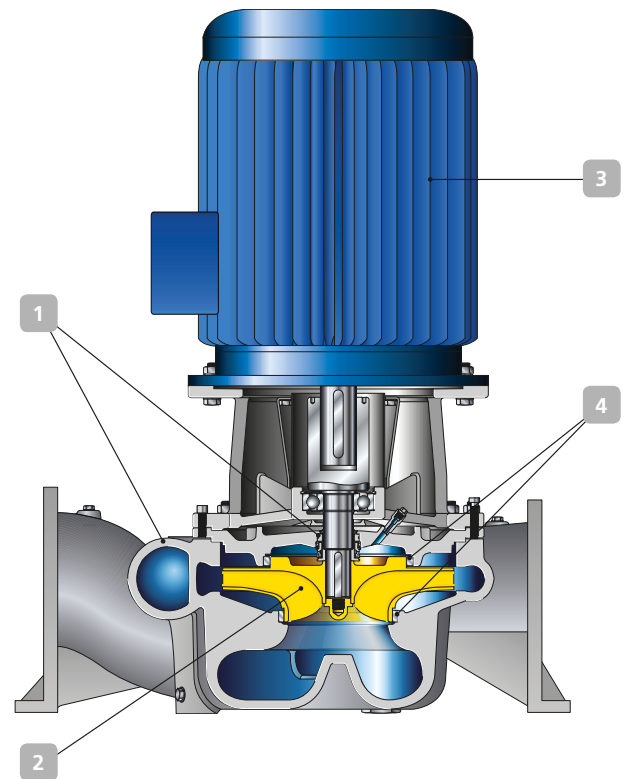
Straightforward replacement of casing wear rings on discharge and suction side. Mechanical seals in cartridge design.

Space-saving design

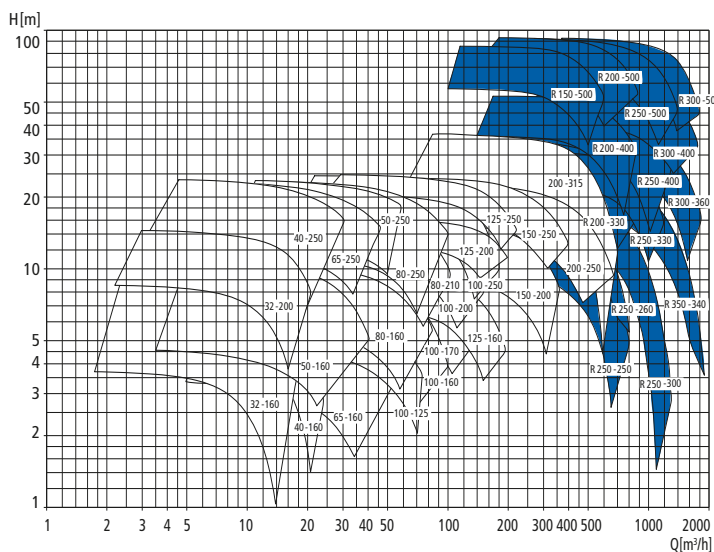
Vertical positioning. Installation surface smaller than that of baseplate-mounted pumps.

Large variety of applications

Material combinations for impeller and mechanical seal that are matched to the fluid pumped meet the requirements of all kinds of application. Temperatures up to 140 °C.



Characteristic curves Etaline-R



Technical data

Sizes	DN 150 to 350
Flow rate Q	Up to 1.900 m³/h
Head H	Up to 97 m
Fluid temperature t	-30 °C to +140 °C

Automation options

PumpDrive	for speed adjustment or speed control (up to 45 kW)
PumpMeter	for pump monitoring and analysis of the operating data

Materials

Volute casing and discharge cover	Grey cast iron JL 1040 Nodular cast iron JS 1025
Impeller	Grey cast iron JL 1040 Bronze CC480K-GS Stainless steel 1.4408
Mechanical seal in cartridge design	Q1BEGG, Q1BVG, Q1Q1EGG, Q1Q1VGG, Q1AEGG



KSB Aktiengesellschaft
Johann-Klein-Straße 9
67227 Frankenthal (Germany)
www.ksb.com